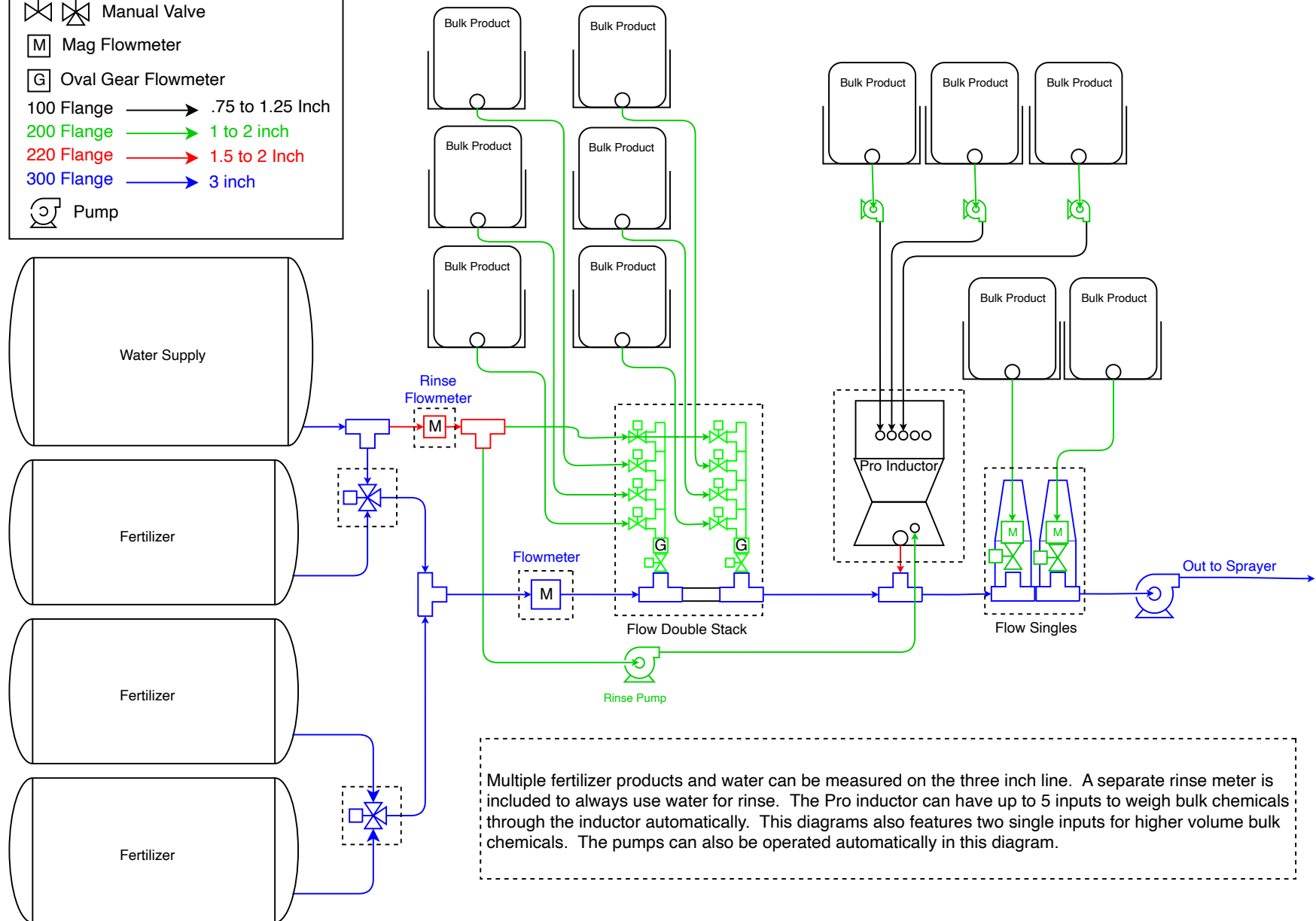
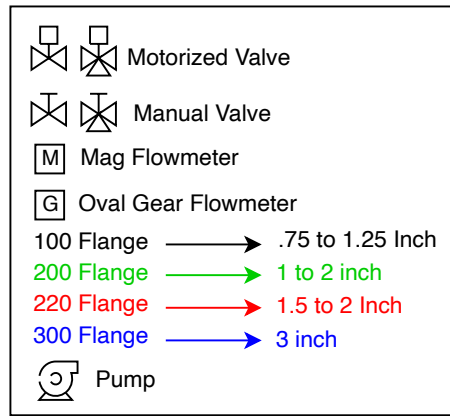


Mixmate Pro 15 Input Double Stack Bulk Fertilizer Plumbing Diagram



Multiple fertilizer products and water can be measured on the three inch line. A separate rinse meter is included to always use water for rinse. The Pro inductor can have up to 5 inputs to weigh bulk chemicals through the inductor automatically. This diagrams also features two single inputs for higher volume bulk chemicals. The pumps can also be operated automatically in this diagram.